

ADDITIONAL BOX

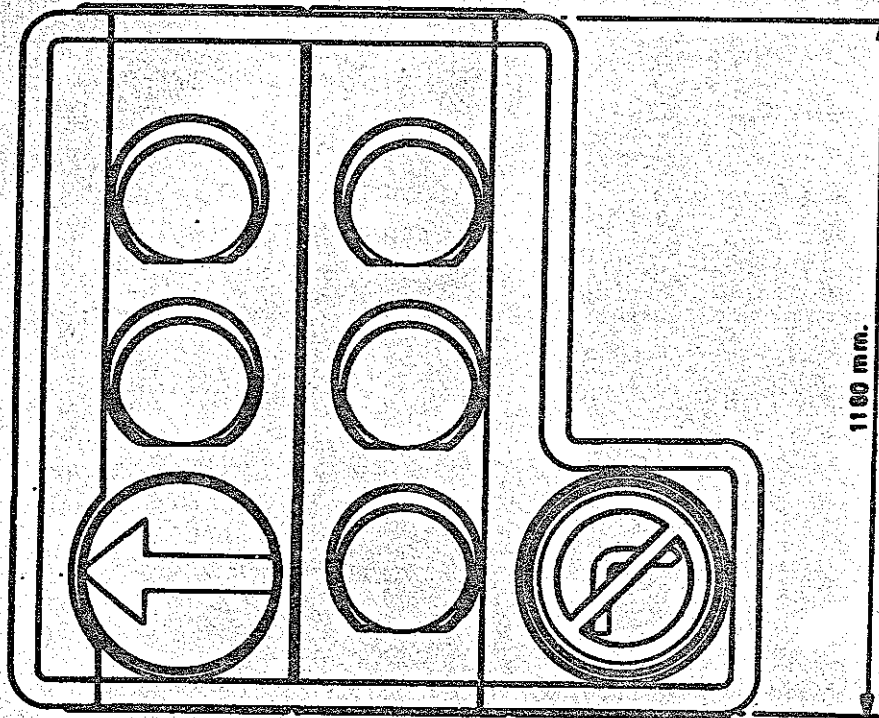
1295 mm.

3 ASPECT CASES

3 ASPECT CASES

ADDITIONAL BOX

SPECIAL MOUNTING OF 2-3 ASPECT CASES
ONE WITH ADDITIONAL BOX. POST IS IN
AN OFFSET POSITION TO LEAVE PAVEMENT
CLEAR.



VIEW OF SIGNALS

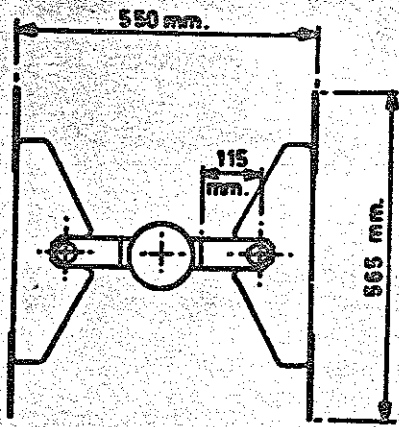
© CROWN COPYRIGHT 1983

DIV: TRAFFIC CONTROL AND COMMS:
DEPARTMENT OF TRANSPORT
TOLLGATE HOUSE,
HOULTON STREET, BRISTOL BS2 9DJ

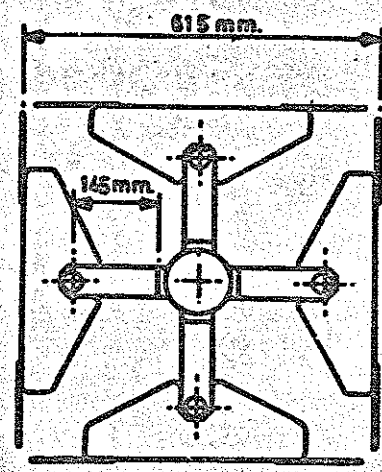
Title TRAFFIC SIGNAL
GENERAL MOUNTING
OF
MULTIPLE SIGNALS

Drn *ka*
Date 22.4.86.
Chkd
Appd *E. K. Low*

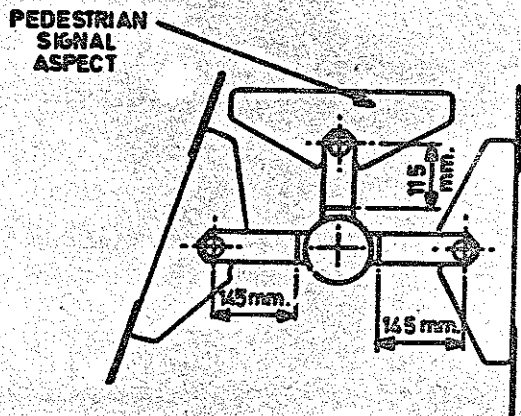
Drg No.
MCX 0400
Issue A
Shf No 1 / 3



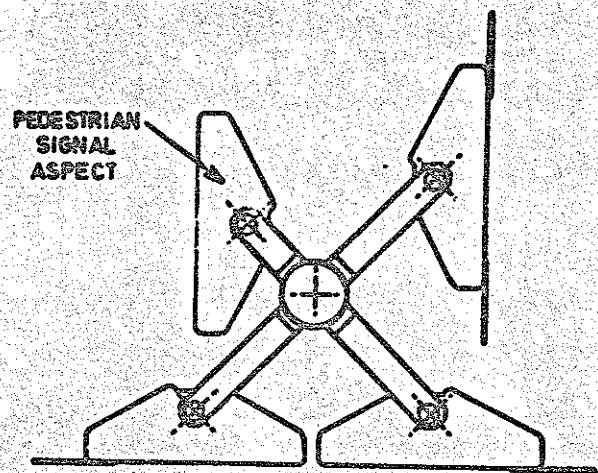
STANDARD BACK TO BACK MOUNTING



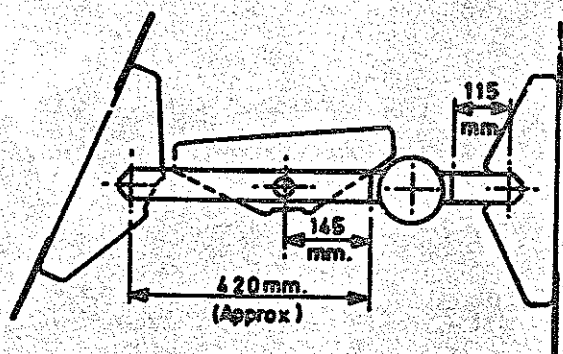
STANDARD 3 OR 4 ASPECT MOUNTING



STANDARD PEDESTRIAN ASPECT MOUNTING



SPECIAL PEDESTRIAN ASPECT MOUNTING



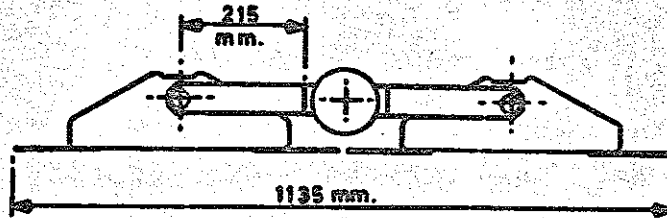
SPECIAL PEDESTRIAN ASPECT MOUNTING FOR NARROW FOOTPATHS

© CROWN COPYRIGHT 1995

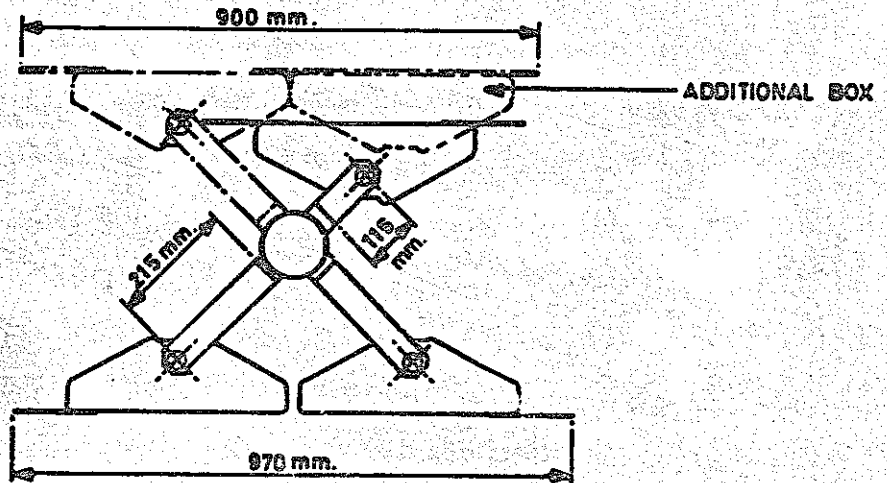
DIV: TRAFFIC CONTROL AND COMMS:
DEPARTMENT OF TRANSPORT
TOLLGATE HOUSE,
HOULTON STREET, BRISTOL BS2 9DJ

Title TRAFFIC SIGNAL
GENERAL MOUNTING
OF
MULTIPLE SIGNALS

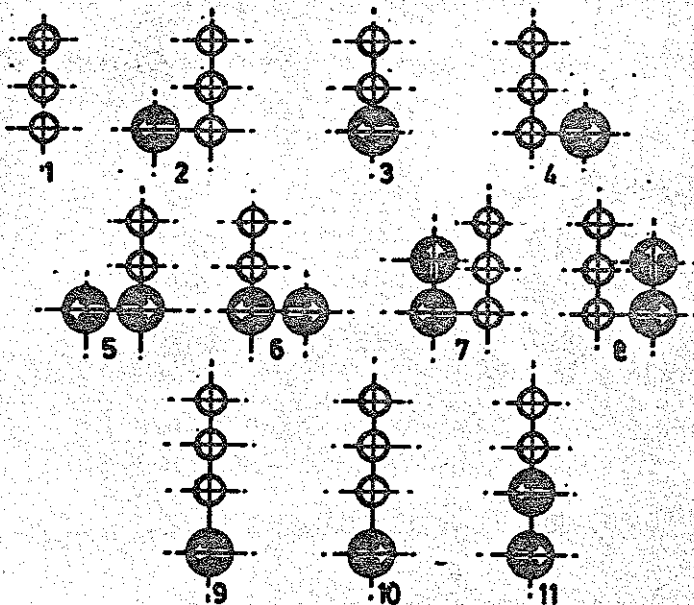
Drn <i>Ra</i>	Drg No.
Date 22.4.86	MCX 0400
Chkd	Issue A
Appd <i>Ra</i>	Sht No. 2 / 3



STANDARD SIDE BY SIDE MOUNTING



PERMITTED ARRANGEMENT OF SIGNALS



NOTE A

ADDITIONAL CASES FOR REGULATORY SIGNS MAY BE ADDED TO THESE SIGNAL ARRANGEMENTS.

1. 1 CASE ON EITHER OR BOTH SIDES OF THE LOWEST ASPECT IN FIG. 1 & 3
2. 1 CASE ON OPPOSITE SIDE OF MAIN SIGNAL TO ARROW IN FIG. 2, 4, 5, 6, 7 & 8.
3. 1 CASE ABOVE THE ARROW IN FIG. 2, 4, 5 & 6.
4. A SECOND 3 ASPECT SIGNAL MAY BE POSITIONED ALONGSIDE THE MAIN SIGNAL AS SHOWN ABOVE.
5. 1 CASE TO REPLACE GREEN ARROW IN LOWER POSITIONS ON 9, 10 & 11 IN EXCEPTIONAL CASES.

NOTE B

1. VARIATIONS IN ACCORDANCE WITH REGULATION 32 OF THE TRAFFIC SIGNS REGULATIONS & GENERAL DIRECTIONS 1981 ARE PERMITTED.
2. IT IS PERMITTED TO HAVE A REGULATORY AHEAD ARROW SIGN UNDER A GREEN AHEAD ARROW SIGNAL.

© CROWN COPYRIGHT 1986

DIV: TRAFFIC CONTROL AND COMMS: DEPARTMENT OF TRANSPORT TOLLGATE HOUSE, HOULTON STREET, BRISTOL BS2 9DJ	Title TRAFFIC SIGNAL GENERAL MOUNTING OF MULTIPLE SIGNALS	Dwn <i>Alh</i> Drg No.
		Date 23.4.86. MCX 0400
		Chkd Issue A
		Appd <i>E.H. King</i> Sht No. 3/3